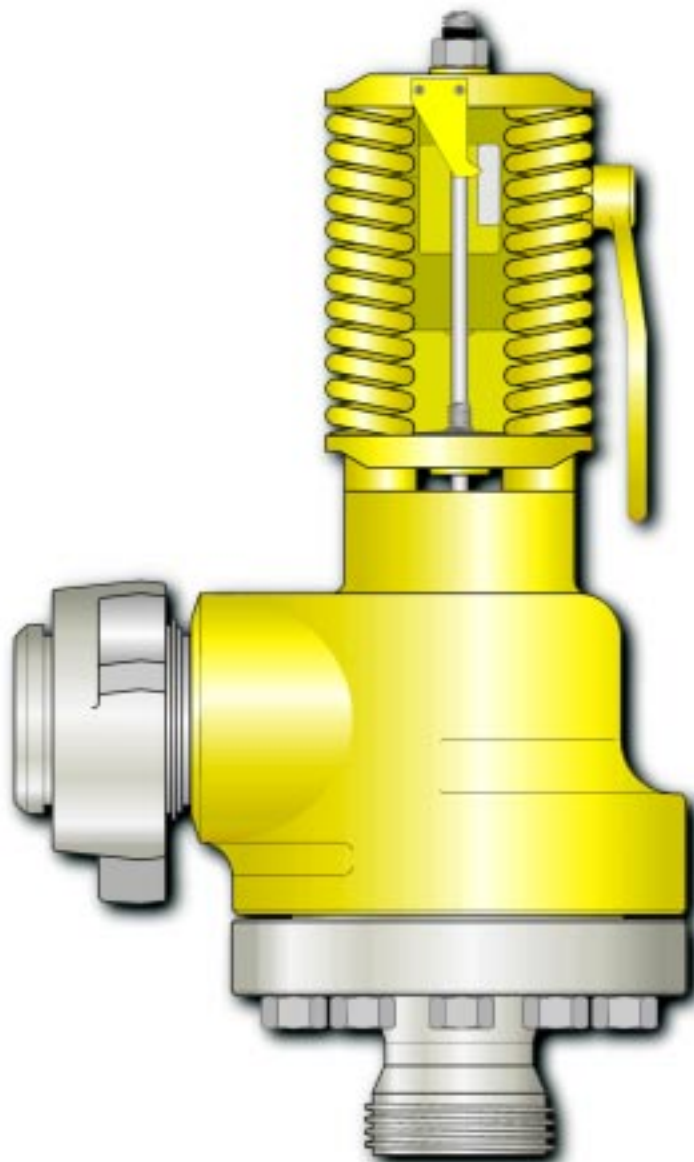


High Pressure Reset Relief Valve

Oteco now offers a high pressure model in it's popular line of Reset Relief Valves. Flow and technical data for this new valve has been verified at an independent laboratory and performance verified on pumps ranging in horsepower from 700 to 3000HP. This new valve combines the quality and reliability associated with Oteco products with an increased pressure rating all at an affordable price.

The Oteco High Pressure Reset Relief Valves provides:

- Pressure range 2,500 to 8,000 psi
- One piece sub-no cross arms to disturb flow
- Tuned port in discharge for smooth transition from flat to round shape
- Body and sub made from high strength alloy materials
- Eight cap screws for added strength (four $\frac{1}{2}$ " and four $\frac{5}{8}$ ")
- 4.9" of flow area at smallest I.D.
- Eight 1" studs and nuts to hold the bottom stud to body
- Valves available with union, flanged or combination end connections
- Material traceability available for body and sub



For information on either of these new Oteco products or to place an order, contact your nearest Oteco distributor or call the Sales department at our Houston Texas facility.